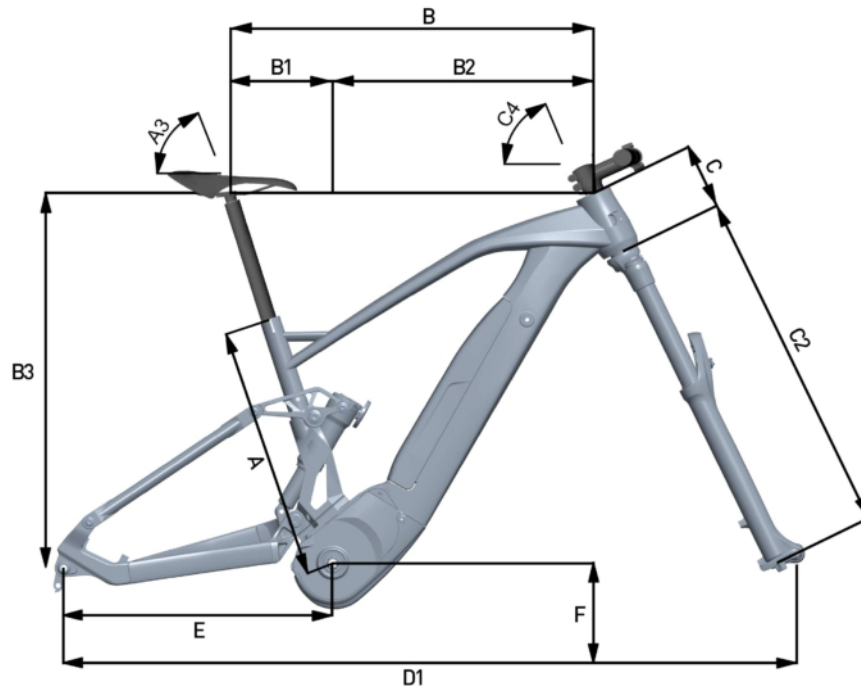


# XXF Downhill 2.0

<b>CHASSIS</b>	<b>XXF 2.0 RACE</b>
<b>MOTOR</b>	Brose S-MAG 36 Volt, Max power: 250 Watt, Torque/Coppia: 90 Nm
<b>BATTERY</b>	Fantic Integra, Lithium Ion, 36 Volt, 720Wh
<b>DISPLAY</b>	Brose-All Round 4 multifunctional display & push-assistance selection unit
<b>FRAME</b>	Aluminum, Sizes: S – M – L
<b>FORK</b>	RockShox BOXXER Select e-bike – 29" 200mm
<b>SHOCK</b>	RockShox Super Deluxe Coil Select+ T205x65
<b>CHAIN RINGS</b>	Sram 34t Steel Eagle
<b>CRANK ARM</b>	FSA CK-320/ISIS – 155mm
<b>REAR DERAILLEUR</b>	Sram NX Eagle 12V
<b>SHIFT LEVERS</b>	Sram NX E-click
<b>CASSETTE</b>	Sram SX Eagle 12V, 11-50
<b>CHAIN</b>	Sram NX Eagle 12V
<b>BRAKE (FRONT)</b>	Magura MT7 4 Piston disc brake
<b>BRAKE (REAR)</b>	Magura MT7 4 Piston disc brake
<b>DISC (FRONT)</b>	Bracking S3 Battfly, 220mm – 6 Hole
<b>DISC (REAR)</b>	Bracking S3 Battfly, 203mm – 6 Hole
<b>TYRES (FRONT)</b>	Vittoria E-MAZZA 29"x 2.6
<b>TYRES (REAR)</b>	Vittoria E-MARTELLLO 27,5"x 2.8
<b>WHEELS</b>	Mavic E-XM
<b>FRONT HUB</b>	Sram 900
<b>REAR HUB</b>	Sram 900
<b>HANDLEBARS</b>	FSA GRID 800mm-35 RISE 15
<b>STEM</b>	FSA DIRETTO 40mm-35
<b>SEATPOST</b>	SWITCH SW Ø 30.9 S-M(100mm), L(125mm)
<b>SADDLE</b>	Sella Italia Novus Boost EVO

# XXF Enduro 2.0

## Geometrics (ALL MODELS)



<b>XXF 2.0</b>	<b>SMALL</b>	<b>MEDIUM</b>	<b>LARGE</b>
<b>A</b>	390mm	430mm	470mm
<b>A3</b>	72°	72°	72°
<b>B</b>	588.5mm	619mm	649mm
<b>B1</b>	172mm	173mm	177.5mm
<b>B2</b>	416mm	445.5mm	471.59mm
<b>B3</b>	623.7mm	629.8mm	640.2mm
<b>C</b>	105mm	110mm	120mm
<b>C2</b>	601mm	601mm	601mm
<b>C4</b>	64°	64°	64.5°
<b>D1</b>	1226mm	1256mm	1281mm
<b>E</b>	458.5mm	458.5mm	458.5mm
<b>F</b>	368mm	370mm	370mm

# XXF Downhill 2.0 Factory

<b>CHASSIS</b>	<b>XXF 2.0 FACTORY</b>
<b>MOTOR</b>	Brose S-MAG 36 Volt, Max power: 250 Watt, Torque/Coppia: 90 Nm
<b>BATTERY</b>	Fantic Integra, Lithium Ion, 36 Volt, 720Wh
<b>DISPLAY</b>	Brose-All Round 4 multifunctional display & push-assistance selection unit
<b>FRAME</b>	Aluminum, Sizes: S – M – L
<b>FORK</b>	Ohlins DH 38 e-bike – 29" 200mm
<b>SHOCK</b>	Ohilins TTX 22M T205x65
<b>CHAIN RINGS</b>	Sram 34t Steel Eagle
<b>CRANK ARM</b>	FSA CK-320/ISIS – 155mm
<b>REAR DERAILLEUR</b>	Sram GX Eagle 12V
<b>SHIFT LEVERS</b>	Sram GX E-click
<b>CASSETTE</b>	Sunrace SilverRed 12V, 11-51
<b>CHAIN</b>	Sram NX Eagle 12V
<b>BRAKE (FRONT)</b>	Braking IN.CA.S disc brake
<b>BRAKE (REAR)</b>	Braking IN.CA.S disc brake
<b>DISC (FRONT)</b>	Bracking S3 Battfly, 220mm – 6 Hole
<b>DISC (REAR)</b>	Bracking S3 Battfly, 203mm – 6 Hole
<b>TYRES (FRONT)</b>	Vittoria E-MAZZA 29"x 2.6
<b>TYRES (REAR)</b>	Vittoria E-MARTELLLO 27,5"x 2.8
<b>WHEELS</b>	Mavic E-XM
<b>FRONT HUB</b>	Sram 900
<b>REAR HUB</b>	Sram 900
<b>HANDLEBARS</b>	Renthal FATBAR V2 800mm-35 RISE 30
<b>STEM</b>	Renthal INTEGRA 45mm-35
<b>SEATPOST</b>	Rockshox Reverb Ø 30.9 S-M(100mm), L(125mm)
<b>SADDLE</b>	Sella Italia Novus Boost EVO