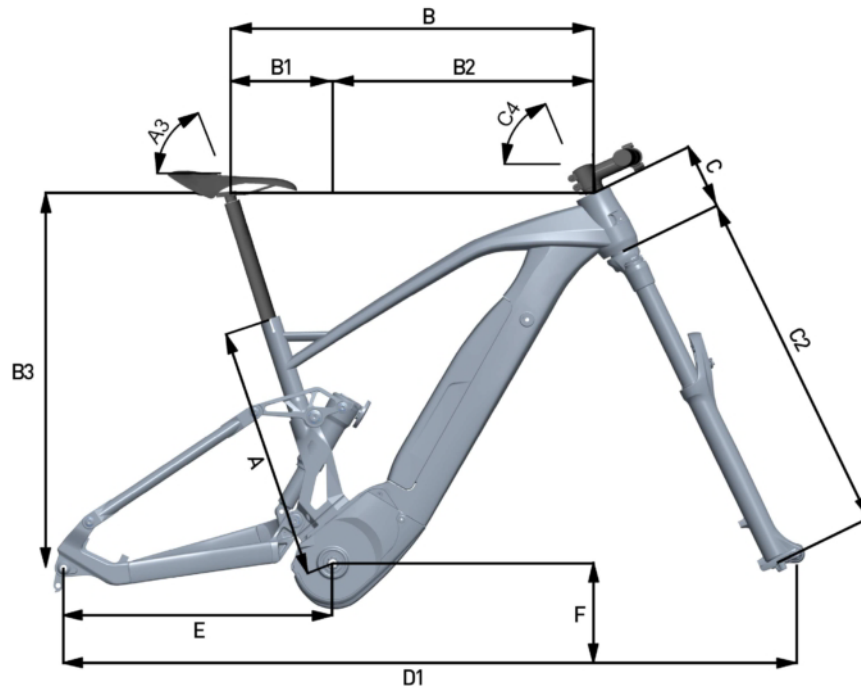


# XmF Mountain 1.7

<b>CHASSIS</b>	<b>XMF 1.7 SPORT</b>
<b>MOTOR</b>	Brose S-MAG 36 Volt, Max power: 250 Watt, Torque/Coppia: 90 Nm
<b>BATTERY</b>	Fantic Integra, Lithium Ion, 36 Volt, 720Wh
<b>DISPLAY</b>	Brose-All Round 4 multifunctional display & push-assistance selection unit
<b>FRAME</b>	Aluminum, Sizes: S – M – L
<b>FORK</b>	RockShox YARI RC e-bike – 29" 170mm
<b>SHOCK</b>	RockShox Deluxe Select+ T205x60 Air
<b>CHAIN RINGS</b>	Sram 34t Steel Eagle
<b>CRANK ARM</b>	FSA CK-7462/IS – 165mm
<b>REAR DERAILLEUR</b>	Sram NX Eagle 12V
<b>SHIFT LEVERS</b>	Sram NX E-click
<b>CASSETTE</b>	Sram SX Eagle 12V, 11-50
<b>CHAIN</b>	Sram SX Eagle 12V
<b>BRAKE (FRONT)</b>	Sram Guide T 4 Piston disc brake
<b>BRAKE (REAR)</b>	Sram Guide T 4 Piston disc brake
<b>DISC (FRONT)</b>	SramCenterLine, 200mm – 6 Hole
<b>DISC (REAR)</b>	SramCenterLine, 180mm – 6 Hole
<b>TYRES (FRONT)</b>	Vittoria E-MARTELLLO 29"x 2.35
<b>TYRES (REAR)</b>	Vittoria E-MARTELLLO 27,5"x 2.6
<b>WHEELS</b>	FULCRUM E-700
<b>HANDLEBARS</b>	FSA Logo 760mm-31,8 RISE15 SWEEP 6°
<b>STEM</b>	FSA Logo 60mm-31,8 RISE 6°
<b>SEATPOST</b>	SWITCH SW Ø 30.9 S-M(100mm), L(125mm)

# XmF Mountain 1.7 Geometrics



## XmF 1.7

	SMALL	MEDIUM	LARGE
<b>A</b>	390mm	430mm	469mm
<b>A3</b>	73°	73°	73°
<b>B</b>	586mm	596mm	628mm
<b>B1</b>	161mm	162mm	166mm
<b>B2</b>	425mm	454mm	480mm
<b>B3</b>	617.8mm	622mm	633.7mm
<b>C</b>	105mm	110mm	120mm
<b>C2</b>	581mm	581mm	581mm
<b>C4</b>	65°	65°	65.5°
<b>D1</b>	1241mm	1245mm	1270.5mm
<b>E</b>	459mm	459mm	459mm
<b>F</b>	363.5mm	363.5mm	363.5mm

# XmF Mountain 1.7 Carbon

<b>CHASSIS</b>	<b>XMF 1.7 CARBON</b>
<b>MOTOR</b>	Brose S-MAG 36 Volt, Max power: 250 Watt, Torque/Coppia: 90 Nm
<b>BATTERY</b>	Fantic Integra, Lithium Ion, 36 Volt, 720Wh
<b>DISPLAY</b>	Brose-All Round 4 multifunctional display & push-assistance selection unit
<b>FRAME</b>	Carbon, Sizes: S – M – L
<b>FORK</b>	RockShox 35 GOLD RL e-bike – 29" 150mm
<b>SHOCK</b>	RockShox Deluxe Select+ T205x60 Air
<b>CHAIN RINGS</b>	FSA 34t Alu
<b>CRANK ARM</b>	FSA CK-7462/IS – 170mm
<b>REAR DERAILLEUR</b>	Sram GX Eagle 12V
<b>SHIFT LEVERS</b>	Sram NX E-click
<b>CASSETTE</b>	Sram SX Eagle 12V, 11-50
<b>CHAIN</b>	Sram SX Eagle 12V
<b>BRAKE (FRONT)</b>	Sram Code R 4 Piston disc brake
<b>BRAKE (REAR)</b>	Sram Code R 4 Piston disc brake
<b>DISC (FRONT)</b>	Bracking S3 Battfly, 203mm – 6 Hole
<b>DISC (REAR)</b>	Bracking S3 Battfly, 203mm – 6 Hole
<b>TYRES (FRONT)</b>	Pirelli SCORPION ProWall Trail -M- 29"x 2.4
<b>TYRES (REAR)</b>	Pirelli SCORPION ProWall Trail -R- 29"x 2.4
<b>WHEELS</b>	Rodi BlackJack READY 27
<b>HANDLEBARS</b>	FSA GRID 800mm-35 RISE 15
<b>STEM</b>	FSA GRID 50mm-35 RISE 6°
<b>SEATPOST</b>	Switch SW Ø 30.9 S-M(100mm), L(125mm), XL(150mm)

# XmF Mountain 1.7 Carbon Race

## CHASSIS

### XMF 1.7 CARBON RACE

## MOTOR

Brose S-MAG 36 Volt, Max power: 250 Watt,  
Torque/Coppia: 90 Nm

## BATTERY

Fantic Integra, Lithium Ion, 36 Volt, 720Wh

## DISPLAY

Brose-All Round 4 multifunctional display  
& push-assistance selection unit

## FRAME

Carbon, Sizes: S – M – L

## FORK

RockShox LYRIK ULTIMATE e-bike – 29" 170mm

## SHOCK

RockShox Deluxe Select+ T205x60 Air

## CHAIN RINGS

Sram 34t Steel Eagle

## CRANK ARM

FSA CK-7462/IS – 165mm

## REAR DERAILLEUR

Sram GX-AXS Eagle 12V

## SHIFT LEVERS

Sram GX-AXS E-click

## CASSETTE

Sram SX Eagle 12V, 11-50

## CHAIN

Sram SX Eagle 12V

## BRAKE (FRONT)

Magura MT7 4 Piston disc brake

## BRAKE (REAR)

Magura MT7 4 Piston disc brake

## DISC (FRONT)

Bracking S3 Battfly, 203mm – 6 Hole

## DISC (REAR)

Bracking S3 Battfly, 180mm – 6 Hole

## TYRES (FRONT)

Vittoria E-MARTELLLO 29"x 2.35

## TYRES (REAR)

Vittoria E-MARTELLLO 27,5"x 2.6

## WHEELS

FULCRUM E-500

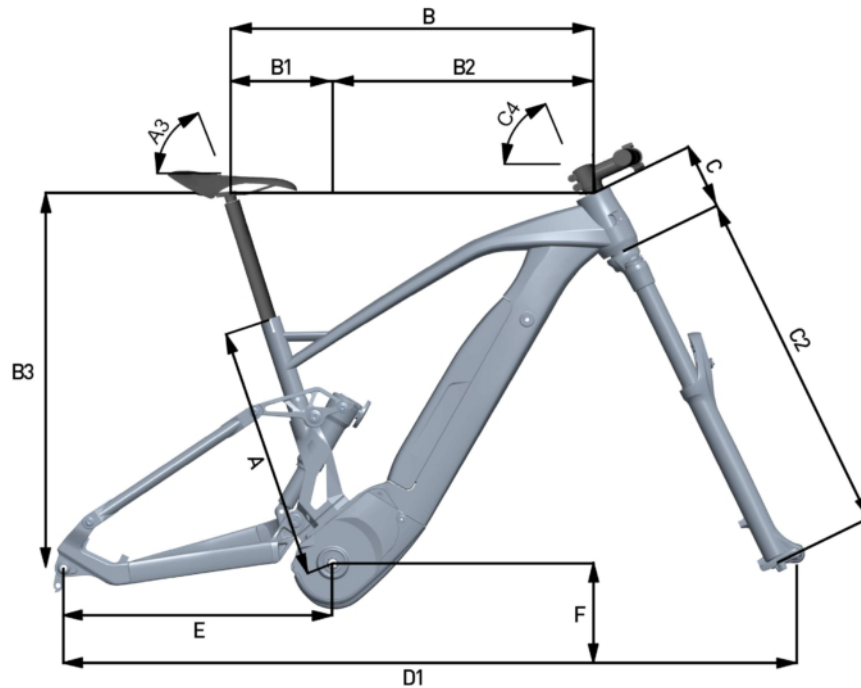
## HANDLEBARS

Renthal APEX 40mm-35 RISE 6°

## SEATPOST

Rockshox Reverb Ø 30.9 S-M(100mm), L(125mm)

# XmF Mountain 1.7 Carbon Geometrics



<b>XmF 1.7 CARBON</b>	<b>SMALL</b>	<b>MEDIUM</b>	<b>LARGE</b>
<b>A</b>	390mm	440mm	490mm
<b>A3</b>	71°	71°	71°
<b>B</b>	571mm	606mm	633mm
<b>B1</b>	181mm	183.5mm	187.5mm
<b>B2</b>	390.5mm	421.5mm	446mm
<b>B3</b>	612.7mm	620.4mm	632mm
<b>C</b>	105mm	110mm	120mm
<b>C2</b>	581mm	581mm	581mm
<b>C4</b>	64°	64.5°	64.5°
<b>D1</b>	1195.5mm	1224mm	1246mm
<b>E</b>	461mm	461mm	461mm
<b>F</b>	361.5mm	361.5mm	361.5mm