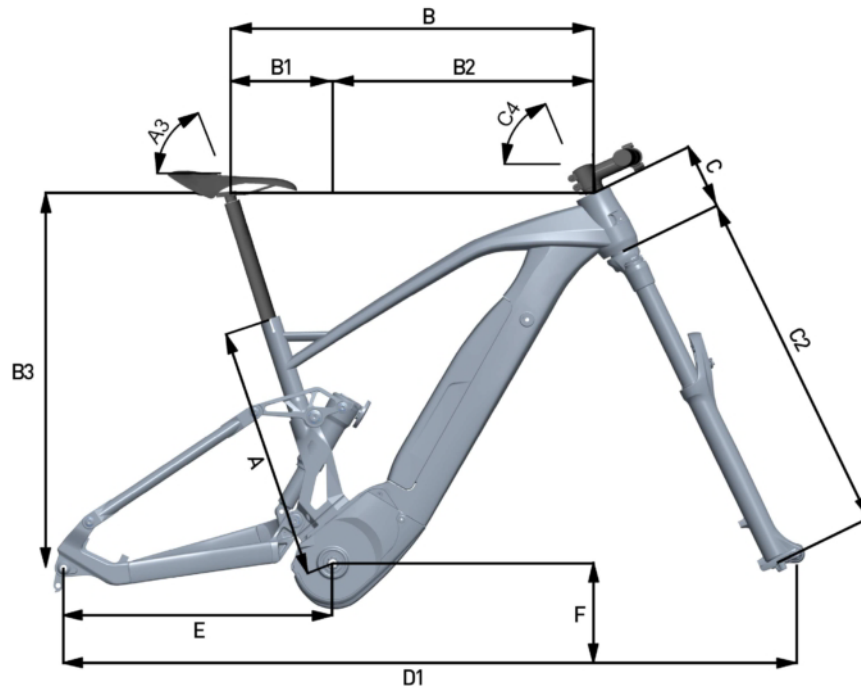


XEF Enduro 1.9

CHASSIS	XEF 1.9 RACE
MOTOR	Brose S-MAG 36 Volt, Max power: 250 Watt, Torque/Coppia: 90 Nm
BATTERY	Fantic Integra, Lithium Ion, 36 Volt, 720Wh
DISPLAY	Brose-All Round 4 multifunctional display & push-assistance selection unit
FRAME	Aluminum, Sizes: S – M – L
FORK	RockShox ZEB e-bike – 29" 190mm
SHOCK	RockShox Deluxe Select+ T205x60 Air
CHAIN RINGS	Sram 34t Steel Eagle
CRANK ARM	FSA CK-320/ISIS – 155mm
REAR DERAILLEUR	Sram NX Eagle 12V
SHIFT LEVERS	Sram NX E-click
CASSETTE	Sram SX Eagle 12V, 11-50
CHAIN	Sram SX Eagle 12V
BRAKE (FRONT)	Sram Code R 4 Piston disc brake
BRAKE (REAR)	Sram Code R 4 Piston disc brake
DISC (FRONT)	Bracking S3 Battfly, 220mm – 6 Hole
DISC (REAR)	Bracking S3 Battfly, 203mm – 6 Hole
TYRES (FRONT)	Vittoria E-MAZZA 29"x 2.6
TYRES (REAR)	Vittoria E-MARTELLO 27,5"x 2.8
WHEELS	Mavic E-XM
FRONT HUB	Sram 700
REAR HUB	Sram 700
HANDLEBARS	FSA GRID 800mm-35 RISE 15
STEM	FSA GRID 50mm-35 RISE 6°
SEATPOST	SWITCH SW Ø 30.9 S-M(100mm), L(125mm)
SADDLE	Sella Italia Novus Boost EVO

XEF Mountain 1.9

Geometrics (ALL MODELS)



XEF 1.9	SMALL	MEDIUM	LARGE
A	390mm	430mm	470mm
A3	72°	72°	72°
B	590mm	620mm	650mm
B1	175.5mm	177mm	181mm
B2	414mm	443mm	469mm
B3	625.6mm	6304mm	642.1mm
C	105mm	110mm	120mm
C2	606mm	606mm	606mm
C4	64°	64°	64.5°
D1	1226mm	1256mm	1281mm
E	459mm	459mm	459mm
F	364mm	364mm	364mm

XEF Enduro 1.9 Factory

CHASSIS	XEF 1.9 FACTORY
MOTOR	Brose S-MAG 36 Volt, Max power: 250 Watt, Torque/Coppia: 90 Nm
BATTERY	Fantic Integra, Lithium Ion, 36 Volt, 720Wh
DISPLAY	Brose-All Round 4 multifunctional display & push-assistance selection unit
FRAME	Aluminum, Sizes: S – M – L
FORK	RockShox ZEB ULTIMATE e-bike – 29" 190mm
SHOCK	Ohilins TTX 22M T205x65
CHAIN RINGS	Sram 34t Steel Eagle
CRANK ARM	FSA CK-320/ISIS – 155mm
REAR DERAILLEUR	Sram GX Eagle 12V
SHIFT LEVERS	Sram GX E-click
CASSETTE	Sunrace SilverRed 12V, 11-51
CHAIN	Sram NX Eagle 12V
BRAKE (FRONT)	Braking IN.CA.S disc brake
BRAKE (REAR)	Braking IN.CA.S disc brake
DISC (FRONT)	Bracking S3 Battfly, 220mm – 6 Hole
DISC (REAR)	Bracking S3 Battfly, 203mm – 6 Hole
TYRES (FRONT)	Vittoria E-MAZZA 29"x 2.6
TYRES (REAR)	Vittoria E-MARTELLO 27,5"x 2.8
WHEELS	Mavic E-XM
FRONT HUB	Sram 700
REAR HUB	Sram 700
HANDLEBARS	Renthal FATBAR V2 800mm-35 RISE 20
STEM	Renthal APEX 40mm-35 RISE 6°
SEATPOST	Rockshox Reverb Ø 30.9 S-M(100mm), L(125mm)
SADDLE	Sella Italia Novus Boost EVO