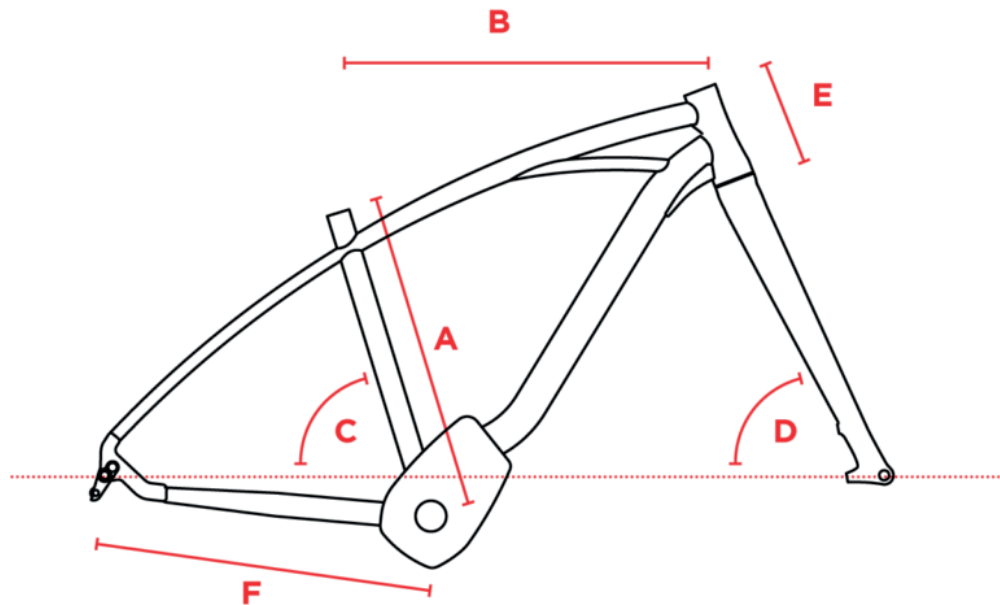


# SEVEN DAYS **METRO** & **METRO EASY**

<b>CHASSIS</b>	<b>Seven Days METRO &amp; Metro EASY</b>
<b>MOTOR</b>	36 Volt, Max power: 250 Watt, Torque 80Nm
<b>BATTERY</b>	PHYLION SR11, 36 Volt, 400 Wh
<b>DISPLAY</b>	Brose-All Round 4 multifunctional display & push-assistance selection unit
<b>FRAME</b>	Aluminium frame, CNC parts, Sizes: S – M – L
<b>FORK</b>	Aluminium front fork, tapered
<b>GROUPSET</b>	SRAM GX 10 speed
<b>CRANKSET</b>	Aluminium
<b>CASSETTE</b>	SRAM PG 1030 10-gear 11-36 teeth
<b>CHAIN</b>	KMC e-bike edition
<b>BRAKE (FRONT)</b>	SRAM Level hydraulic, 180mm disc
<b>BRAKE (REAR)</b>	SRAM Level hydraulic, 160mm disc
<b>TYRES (FRONT)</b>	27,5" x 3,00" SkinWall
<b>TYRES (REAR)</b>	27,5" x 3,00" SkinWall
<b>RIMS &amp; SPOKES</b>	Aluminium alloy, stainless steel spokes
<b>FRONT HUB</b>	110mm trough axle 15mm
<b>REAR HUB</b>	148mm trough axle 12mm
<b>HANDLEBARS</b>	Alloy: rise 60mm
<b>STEM</b>	Fantic rise 8°
<b>HEADSET</b>	FSA No. 57 Orbit semi-integrated 1.5" – 1" 1/8
<b>SADDLE &amp; GRIPS</b>	Montegrappa XC1410 with honey colour grips
<b>PEDALS</b>	Aluminium

# SEVEN DAYS **METRO** & **METRO EASY**



<b>METRO &amp; EASY</b>	<b>SMALL</b>	<b>MEDIUM</b>	<b>LARGE</b>
<b>A</b>	420mm	470mm	520mm
<b>B</b>	584mm	605mm	628mm
<b>C</b>	73°	73°	73°
<b>D</b>	69°	69°	69°
<b>E</b>	110mm	145mm	165mm
<b>F</b>	500mm	500mm	500mm